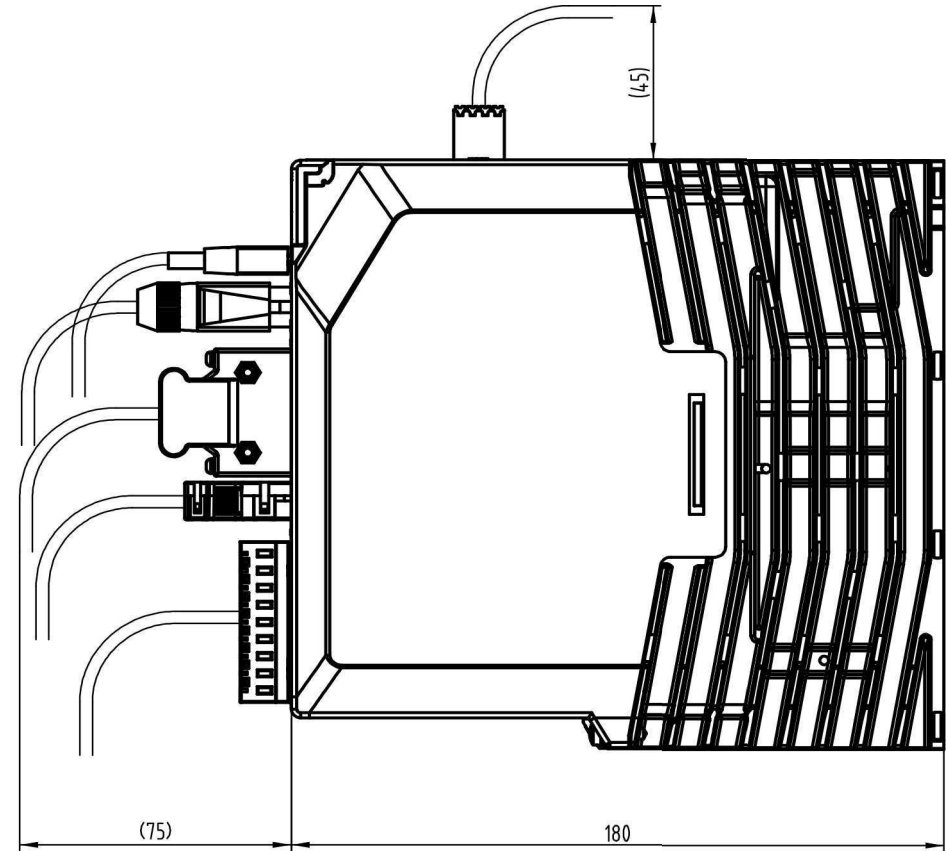


REV	CHG.	DATE	DESCRIPTION	REVISION



SOURCE DRAWING-FOR REFERENCE ONLY

APPROVED BY		DATE	
CHECKED BY		DATE	
DRAWING BY	Doron	DATE	07.05.2024
TOLERANCE UNLESS OTHERWISE SPECIFIED	CABLE LENGTH	TOLERANCE	
	ALL LENGTHS	+4%(OR 50mm) OF LENGTH -0%(OR 0mm) OF LENGTH WHICHEVER IS GREATER	
	STRIP LENGTH	TOLERANCE	
	0-7mm	±1.0mm	
	8-29mm	±1.5mm	
	30-49mm	±2.0mm	
50-99mm	±3.0mm		
70-100mm	±4.0mm		
over 100mm	±5.0mm		



UNITS mm

1st Angle Projection



DESCRIPTION: **EtherCAT**  
 UMD-0000B-E5-S UMD-0002B-E5-S  
 UMD-0001B-E5-S UMD-0004B-E5-S

PART NO.

REV A SHEET 1 OF 1