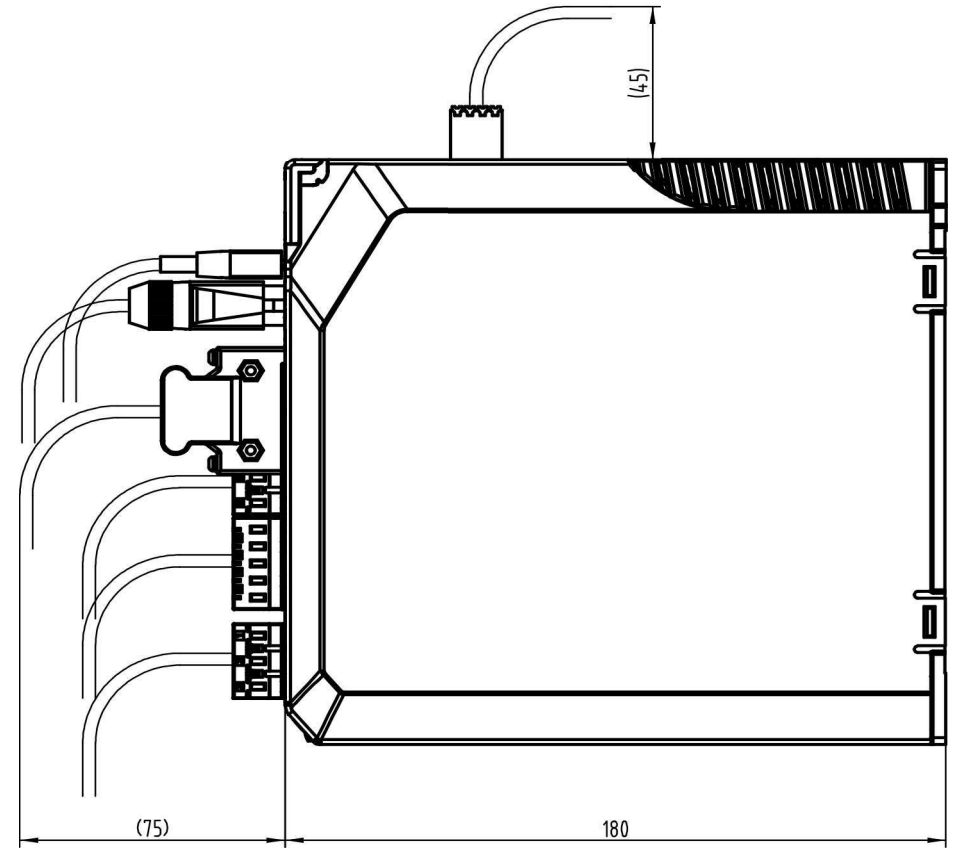


REV	CHG.	DATE	DESCRIPTION	REVISION



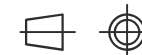
SOURCE DRAWING-FOR REFERENCE ONLY

APPROVED BY		DATE	
CHECKED BY		DATE	
DRAWING BY	Doron	DATE	07.05.2024
TOLERANCE UNLESS OTHERWISE SPECIFIED	CABLE LENGTH	TOLERANCE	
	ALL LENGTHS	+4%(OR 50mm) OF LENGTH -0%(OR 0mm) OF LENGTH WHICHEVER IS GREATER	
	STRIP LENGTH	TOLERANCE	
	0-7mm	±1.0mm	
	8-29mm	±1.5mm	
	30-49mm	±2.0mm	
	50-99mm	±3.0mm	
70-100mm	±4.0mm		
over 100mm	±5.0mm		



UNITS mm

1st Angle Projection



DESCRIPTION: EtherCAT
UMD-0007CU-E5-S
UMD-0010CU-E5-S

PART NO.

REV A SHEET 1 OF 1