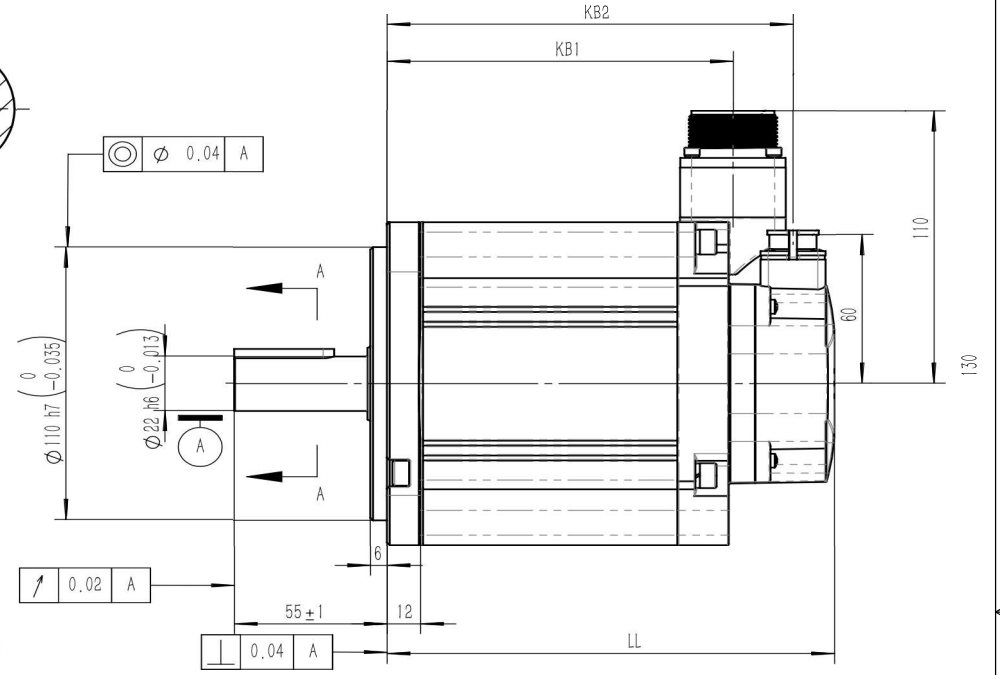


REV	CHG.	DATE	DESCRIPTION	REVISION



מק"ט	משקל(kg)	מידות (mm)		
		LL	KB1	KB2
UMM-0018CA/EA-B6	8.32	161	124.5	146
UMM-0013CA/EA-B6	7	146	109.5	131
UMM-0008CA/EA-B6	5.6	131	94.5	116

9pin, 13A+23A

מחבר	חוטים
B	U
I	V
F	W
C	FG
D	FG1
G	B1
H	B2

12pin, 7A

מחבר	חוטים
1	SD+
2	SD-
3	BAT+
4	BAT-
7	GND
8	Vcc
10	FG

APPROVED BY	DATE																		
CHECKED BY	DATE																		
DRAWING BY Doron	DATE 07.05.2024																		
TOLERANCE UNLESS OTHERWISE SPECIFIED	<table border="1"> <thead> <tr> <th>CABLE LENGTH</th> <th>TOLERANCE</th> </tr> </thead> <tbody> <tr> <td>ALL LENGTHS</td> <td>+4%(OR 50mm) OF LENGTH -0%(OR 0mm) OF LENGTH WHICHEVER IS GREATER</td> </tr> <tr> <td>STRIP LENGTH</td> <td>TOLERANCE</td> </tr> <tr> <td>0-7mm</td> <td>±1.0mm</td> </tr> <tr> <td>8-29mm</td> <td>±1.5mm</td> </tr> <tr> <td>30-49mm</td> <td>±2.0mm</td> </tr> <tr> <td>50-99mm</td> <td>±3.0mm</td> </tr> <tr> <td>70-100mm</td> <td>±4.0mm</td> </tr> <tr> <td>over 100mm</td> <td>±5.0mm</td> </tr> </tbody> </table>	CABLE LENGTH	TOLERANCE	ALL LENGTHS	+4%(OR 50mm) OF LENGTH -0%(OR 0mm) OF LENGTH WHICHEVER IS GREATER	STRIP LENGTH	TOLERANCE	0-7mm	±1.0mm	8-29mm	±1.5mm	30-49mm	±2.0mm	50-99mm	±3.0mm	70-100mm	±4.0mm	over 100mm	±5.0mm
CABLE LENGTH	TOLERANCE																		
ALL LENGTHS	+4%(OR 50mm) OF LENGTH -0%(OR 0mm) OF LENGTH WHICHEVER IS GREATER																		
STRIP LENGTH	TOLERANCE																		
0-7mm	±1.0mm																		
8-29mm	±1.5mm																		
30-49mm	±2.0mm																		
50-99mm	±3.0mm																		
70-100mm	±4.0mm																		
over 100mm	±5.0mm																		

SOURCE DRAWING-FOR REFERENCE ONLY

UNITS	mm	DESCRIPTION: 200-400VAC,850W~1.8kW,B6
1st Angle Projection		
		PART NO.
REV	A	SHEET 1 OF 1