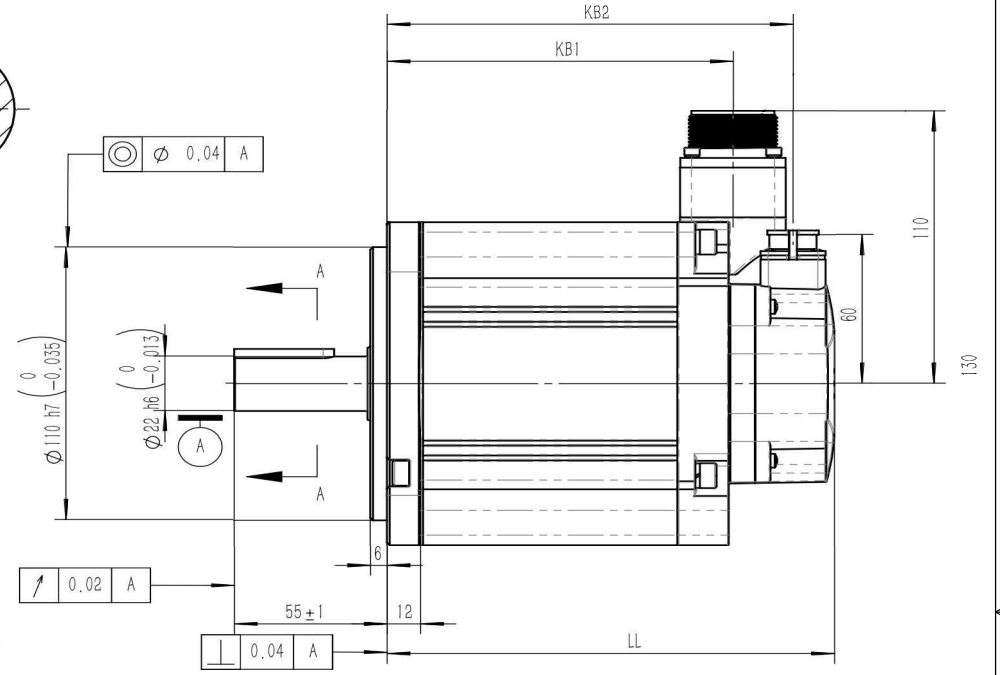


REV	CHG.	DATE	DESCRIPTION	REVISION



מק"ט	משקל(kg)	מידות (mm)		
		LL	KB1	KB2
UMM-0018CAB/EAB-B6	9.98	191	124.5	176
UMM-0013CAB/EAB-B6	8.65	176	109.5	161
UMM-0008CAB/EAB-B6	7.26	161	94.5	146

9pin, 13A+23A

מחבר	חוטים
B	U
I	V
F	W
C	FG
D	FG1
G	B1
H	B2

12pin, 7A

מחבר	חוטים
1	SD+
2	SD-
3	BAT+
4	BAT-
7	GND
8	Vcc
10	FG

APPROVED BY	DATE
CHECKED BY	DATE
DRAWING BY	DATE
Doron	07.05.2024

CABLE LENGTH	TOLERANCE
ALL LENGTHS	+4%(OR 50mm) OF LENGTH -0%(OR 0mm) OF LENGTH WHICHEVER IS GREATER
STRIP LENGTH	TOLERANCE
0-7mm	±1.0mm
8-29mm	±1.5mm
30-49mm	±2.0mm
50-99mm	±3.0mm
70-100mm	±4.0mm
over 100mm	±5.0mm

TOLERANCE UNLESS OTHERWISE SPECIFIED

SOURCE DRAWING-FOR REFERENCE ONLY

UNITS	mm	DESCRIPTION:	200-400VAC,850W~1.8kW,B6_BR
1st Angle Projection		PART NO.	
REV	A	SHEET	1 OF 1