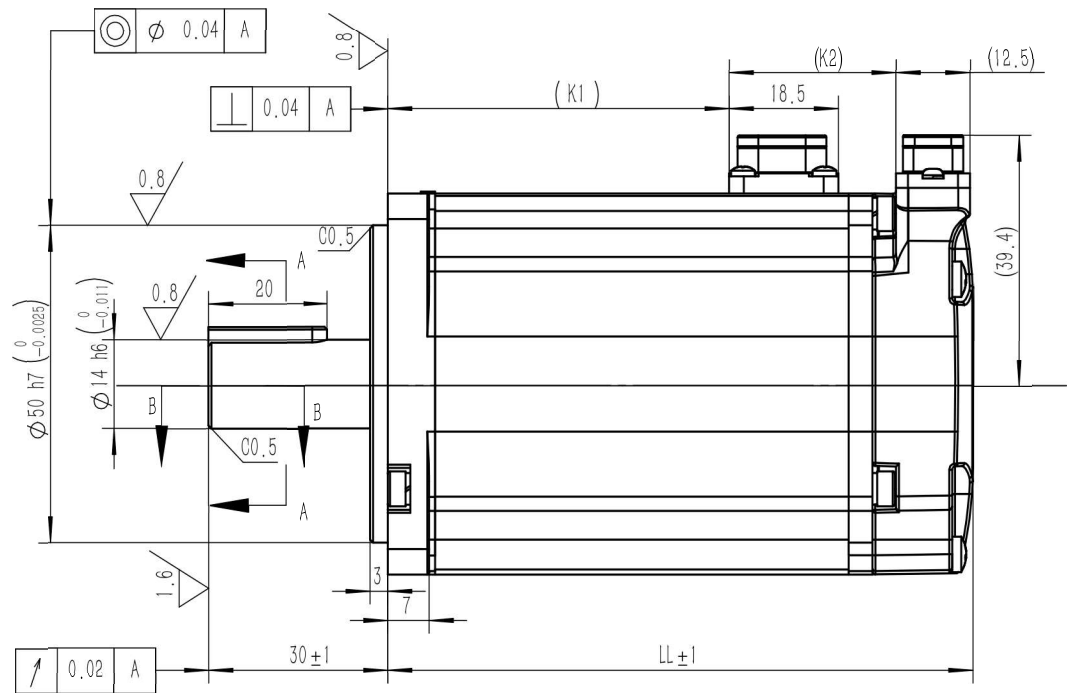


| REV | CHG. | DATE | DESCRIPTION | REVISION |
|-----|------|------|-------------|----------|
| | | | | |



| Signal | Pin No. | מחבר 2 |
|--------|---------|--------|
| S+ | 1 | |
| S- | 2 | |
| BAT+ | 3 | |
| PG 5V | 4 | |
| PG 0V | 5 | |
| BAT- | 6 | |
| FG | 7 | |

| Signal | Pin No. | מחבר 1 |
|--------|---------|--------|
| W | 1 | |
| V | 2 | |
| U | 3 | |
| FG | 4 | |
| / | 5 | |
| / | 6 | |

| מק"ט | משקל (Kg) | מידות (mm) | | |
|---------------|-----------|------------|------|------|
| | | LL | K1 | K2 |
| UMM-0002BA-B5 | 0.76 | 78 | 37.4 | 27.7 |
| UMM-0004BA-B5 | 1.16 | 99 | 57.8 | 28.3 |

SOURCE DRAWING-FOR REFERENCE ONLY

| APPROVED BY | DATE | | | | | | | | | | | | | | | | | | |
|--------------------------------------|---|--------------|-----------|-------------|---|--------------|-----------|-------|--------|--------|--------|---------|--------|---------|--------|----------|--------|------------|--------|
| CHECKED BY | DATE | | | | | | | | | | | | | | | | | | |
| DRAWING BY Doron | DATE 07.05.2024 | | | | | | | | | | | | | | | | | | |
| TOLERANCE UNLESS OTHERWISE SPECIFIED | <table border="1"> <thead> <tr> <th>CABLE LENGTH</th> <th>TOLERANCE</th> </tr> </thead> <tbody> <tr> <td>ALL LENGTHS</td> <td>+4%(OR 50mm) OF LENGTH -0%(OR 0mm) OF LENGTH WHICHEVER IS GREATER</td> </tr> <tr> <th>STRIP LENGTH</th> <th>TOLERANCE</th> </tr> <tr> <td>0-7mm</td> <td>±1.0mm</td> </tr> <tr> <td>8-29mm</td> <td>±1.5mm</td> </tr> <tr> <td>30-49mm</td> <td>±2.0mm</td> </tr> <tr> <td>50-99mm</td> <td>±3.0mm</td> </tr> <tr> <td>70-100mm</td> <td>±4.0mm</td> </tr> <tr> <td>over 100mm</td> <td>±5.0mm</td> </tr> </tbody> </table> | CABLE LENGTH | TOLERANCE | ALL LENGTHS | +4%(OR 50mm) OF LENGTH -0%(OR 0mm) OF LENGTH WHICHEVER IS GREATER | STRIP LENGTH | TOLERANCE | 0-7mm | ±1.0mm | 8-29mm | ±1.5mm | 30-49mm | ±2.0mm | 50-99mm | ±3.0mm | 70-100mm | ±4.0mm | over 100mm | ±5.0mm |
| CABLE LENGTH | TOLERANCE | | | | | | | | | | | | | | | | | | |
| ALL LENGTHS | +4%(OR 50mm) OF LENGTH -0%(OR 0mm) OF LENGTH WHICHEVER IS GREATER | | | | | | | | | | | | | | | | | | |
| STRIP LENGTH | TOLERANCE | | | | | | | | | | | | | | | | | | |
| 0-7mm | ±1.0mm | | | | | | | | | | | | | | | | | | |
| 8-29mm | ±1.5mm | | | | | | | | | | | | | | | | | | |
| 30-49mm | ±2.0mm | | | | | | | | | | | | | | | | | | |
| 50-99mm | ±3.0mm | | | | | | | | | | | | | | | | | | |
| 70-100mm | ±4.0mm | | | | | | | | | | | | | | | | | | |
| over 100mm | ±5.0mm | | | | | | | | | | | | | | | | | | |

UNITRONICS®

| | | |
|----------------------|----|-----------------------|
| UNITS | mm | DESCRIPTION: |
| 1st Angle Projection | | 200VAC, 200W~400W, B5 |
| | | PART NO. |
| REV | A | SHEET 1 OF 1 |