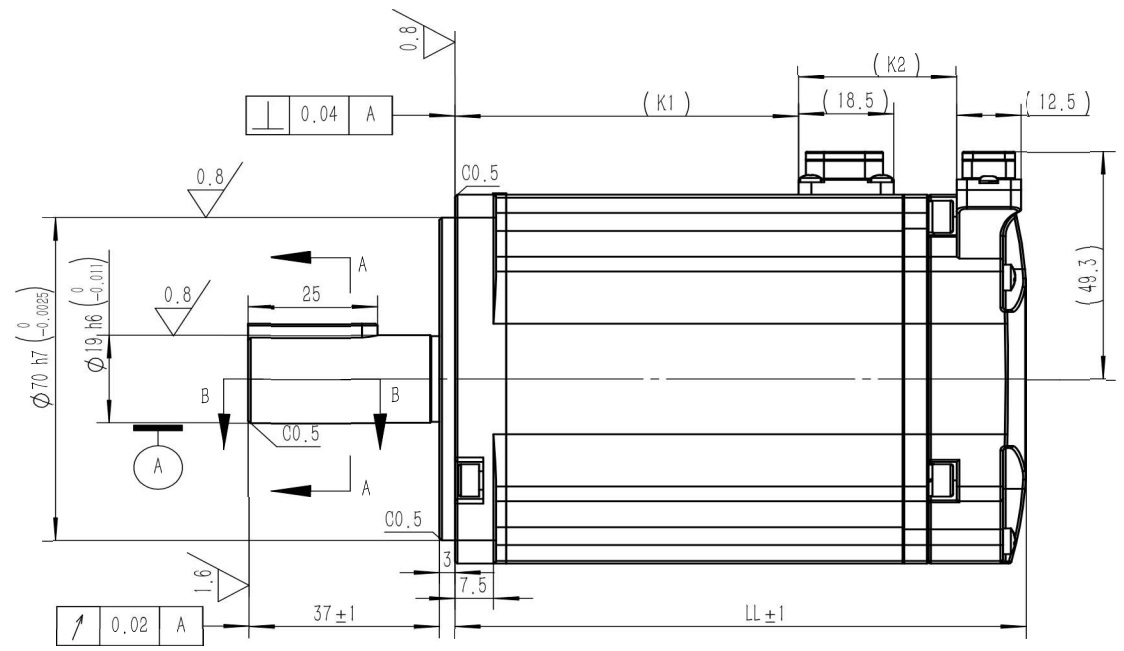


REV	CHG.	DATE	DESCRIPTION	REVISION



Signal	Pin No.	מחבר 2
S+	1	
S-	2	
BAT+	3	
PG 5V	4	
PG 0V	5	
BAT-	6	
FG	7	

Signal	Pin No.	מחבר 1
W	1	
V	2	
U	3	
FG	4	
/	/	
/	/	

מק"ט	משקל (Kg)	מידות (mm)		
		LL	K1	K2
UMM-0007CA-B5	2.46	111	66.9	30.8
UMM-0010CA-B5	2.96	125	80.8	30.8

SOURCE DRAWING-FOR REFERENCE ONLY

APPROVED BY		DATE	
CHECKED BY		DATE	
DRAWING BY	Doron	DATE	07.05.2024



CABLE LENGTH	TOLERANCE	
	ALL LENGTHS	+4%(OR 50mm) OF LENGTH
STRIP LENGTH	0-7mm	+1.0mm
	8-29mm	+1.5mm
	30-49mm	+2.0mm
	50-99mm	+3.0mm
	70-100mm	+4.0mm
over 100mm	+5.0mm	

UNITS mm

1st Angle Projection

DESCRIPTION: 200VAC,750W~1kW,B5			
PART NO.			
REV	A	SHEET	1 OF 1