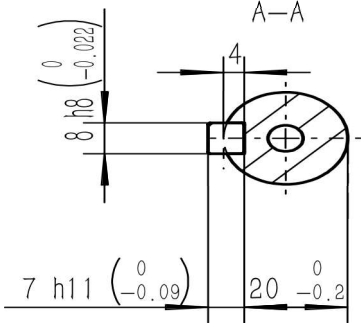


REV	CHG.	DATE	DESCRIPTION	REVISION

SD+	1	
SD-	2	
BAT+	3	
BAT-	4	
—	5	
—	6	
PG 0V	7	
PG 5V	8	
—	9	
FG	10	



מק"ט	אורך לחבר אורך כללי L1 (mm)	אורך לחבר עליון L2 (mm)	אורך לחבר תחתון L3 (mm)	משקל (kg)
UMM-0015CA-B5	165	97	150	5.1
UMM-0015CAB-B5	195	109	180	6.4
UMM-0015EA-B5	165	97	150	5.1
UMM-0015EAB-B5	195	109	180	6.4
UMM-0020CA-B5	185	117	170	6.1
UMM-0020CAB-B5	215	129	200	7.5
UMM-0020EA-B5	185	117	170	6.1
UMM-0020EAB-B5	215	129	200	7.5

U	B	
V	I	
W	F	
FG	C	
FG	D	
B1	G	
B2	H	

APPROVED BY	DATE																		
CHECKED BY	DATE																		
DRAWING BY Doron	DATE 07.05.2024																		
TOLERANCE UNLESS OTHERWISE SPECIFIED	<table border="1"> <thead> <tr> <th>CABLE LENGTH</th> <th>TOLERANCE</th> </tr> </thead> <tbody> <tr> <td>ALL LENGTHS</td> <td>+4%(OR 50mm) OF LENGTH -0%(OR 0mm) OF LENGTH WHICHEVER IS GREATER</td> </tr> <tr> <td>STRIP LENGTH</td> <td>TOLERANCE</td> </tr> <tr> <td>0-7mm</td> <td>+1.0mm</td> </tr> <tr> <td>8-29mm</td> <td>+1.5mm</td> </tr> <tr> <td>30-49mm</td> <td>+2.0mm</td> </tr> <tr> <td>50-99mm</td> <td>+3.0mm</td> </tr> <tr> <td>70-100mm</td> <td>+4.0mm</td> </tr> <tr> <td>over 100mm</td> <td>+5.0mm</td> </tr> </tbody> </table>	CABLE LENGTH	TOLERANCE	ALL LENGTHS	+4%(OR 50mm) OF LENGTH -0%(OR 0mm) OF LENGTH WHICHEVER IS GREATER	STRIP LENGTH	TOLERANCE	0-7mm	+1.0mm	8-29mm	+1.5mm	30-49mm	+2.0mm	50-99mm	+3.0mm	70-100mm	+4.0mm	over 100mm	+5.0mm
CABLE LENGTH	TOLERANCE																		
ALL LENGTHS	+4%(OR 50mm) OF LENGTH -0%(OR 0mm) OF LENGTH WHICHEVER IS GREATER																		
STRIP LENGTH	TOLERANCE																		
0-7mm	+1.0mm																		
8-29mm	+1.5mm																		
30-49mm	+2.0mm																		
50-99mm	+3.0mm																		
70-100mm	+4.0mm																		
over 100mm	+5.0mm																		

SOURCE DRAWING-FOR REFERENCE ONLY

UNITS	mm	DESCRIPTION:	200/400VAC, 1.5kW~2kW, B5/BR
1st Angle Projection		PART NO.	
REV	A	SHEET	1 OF 1