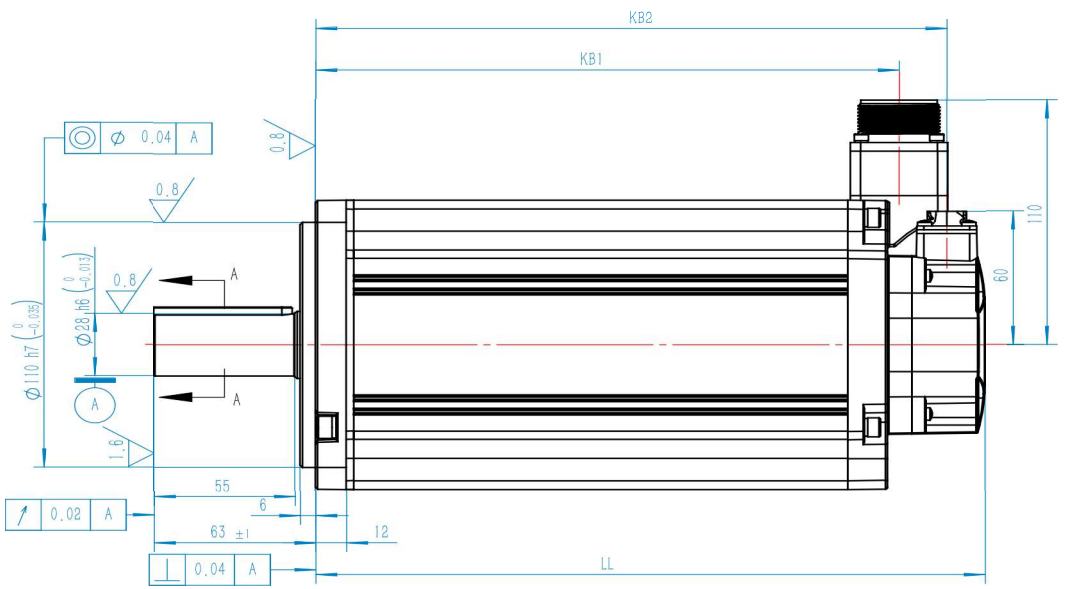
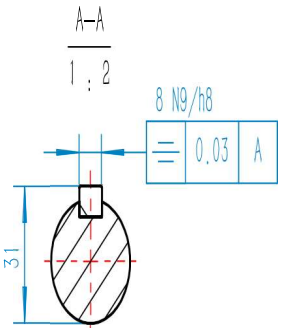


REV	CHG.	DATE	DESCRIPTION	REVISION



M23 12pin, 7A

Pin No.	Signal
1	SD+
2	SD-
3	BAT+
4	BAT-
7	Gnd
8	Vcc
10	FG



9pin, 13A+23A

Pin No.	Signal
B	U
I	V
F	W
C	FG
D	FG

מק"ט	משקל (kg)	מידות (mm)		
		LL	KB1	KB2
UMM-0030EA-B5	10	194	160.5	179
UMM-0040EA-B5	12	221	187.5	206
UMM-0050EA-B5	15.5	261	227.5	246

SOURCE DRAWING-FOR REFERENCE ONLY

APPROVED BY	DATE	
CHECKED BY	DATE	
DRAWING BY Doron	DATE 07.05.2024	
TOLERANCE UNLESS OTHERWISE SPECIFIED	CABLE LENGTH	TOLERANCE
	ALL LENGTHS	+4% (OR 50mm) OF LENGTH -0% (OR 0mm) OF LENGTH WHICHEVER IS GREATER
TOLERANCE UNLESS OTHERWISE SPECIFIED	STRIP LENGTH	TOLERANCE
	0-7mm	±1.0mm
	8-29mm	±1.5mm
	30-49mm	±2.0mm
	50-99mm	±3.0mm
70-100mm	±4.0mm	
over 100mm	±5.0mm	

UNITRONICS®

UNITS mm

1st Angle Projection

DESCRIPTION:
400VAC, 3kW~5kW, B5

PART NO.

REV	A	SHEET	1 OF 1
-----	---	-------	--------